



Designers and Manufacturers of Hydraulic and Pneumatic Equipment

SC HYDRAULIC ENGINEERING CORPORATION

1130 Columbia Street - Brea, California 92821 - USA • Phone (714) 257-4800 - Fax (714) 257-4810

10 SERIES POWER UNITS

**P
U
M
P
S**



AlsaceFlow official distributor of SC-Hydraulics

8 avenue Dante, 67200 Strasbourg, France • Tel:+33 (0)9 73 67 55 65 • www.a-flow.com • mail@a-flow.com

A "High Pressure" History...

An innovator and pioneer in the field of hydraulic engineering, SC Hydraulic has been manufacturing air-driven liquid pumps for more than a half of a century.

Founded in 1953 by Bob Vedder and Willie Mohler, the company started with only a few core products. Basically air-driven liquid pumps. Today, SC Hydraulic's product line has expanded to include an extensive collection of air and gas boosters, power units, systems and selected high-pressure valves.



The product line remained stable through the 1980s seeing successful operation in an ever-increasing number of installations and applications, while sales grew through an expansion of distribution.

Under the leadership of Bob Vedder's daughter, Donna Perez, SC Hydraulic operates a state-of-the-art 65,000 square-foot facility in Brea, California, and is well prepared for future growth and innovation.

Where Hydraulic Force Meets Custom Engineering

With products capable of achieving pressures exceeding 70,000 psig, SC Hydraulic Engineering Corp. is a force to be reckoned with in the field of hydraulic engineering.

SC Hydraulic manufactures a vast array of air-operated hydraulic pumps and boosters for a variety of industries. In addition to our current line of hydraulic products, we can work with you to custom design products to fit the exact specifications of your applications.

An international leader in hydraulic engineering, SC Hydraulic is staffed with educated and certified engineers. They are continually developing new products which are in sync with newly emerging applications, both in the United States and abroad.



In a 65,000 square foot facility, SC Hydraulic is capable of setting the industry's highest standard while maintaining the best delivery times

For Fluid Power...

Contact SC Hydraulic today, to find out more about our capabilities or for a technical data sheet.

POWER UNIT FEATURES

SC Hydraulic Engineering Corporation has been supplying power units for decades for use on numerous applications such as bolt tensioning, hydrostatic testing, burst testing, hydraulic press, to name a few. Anywhere a compact hydraulic source is required is a perfect choice for a SC Hydraulic Engineering Power Unit. Best of all, an electric power source is not required so power outages or burn-out of motors are never a problem.

The 10 Series standard power units are available in five different models, available with or without a reservoir. The footprint of the base can be as small as 9" x 10 1/2" for mounting in compact locations.

Reservoirs are manufactured either from stainless steel or polyethylene for corrosion resistance and long life. The three basic models of pumps are used on the power units therefore literally hundreds of models are available.

In addition to our standard offering SC Hydraulic Engineering also manufactures many custom power units to individual specifications. These include high-low or multiple pump units, special reservoirs, chart recorders, etc.



In most cases a power unit can be shipped in two weeks or less (or within two days with an expedite fee). If you need a solution to a hydraulic application fast and inexpensively call us or contact your local distributor for immediate assistance.

30 SERIES POWER UNIT



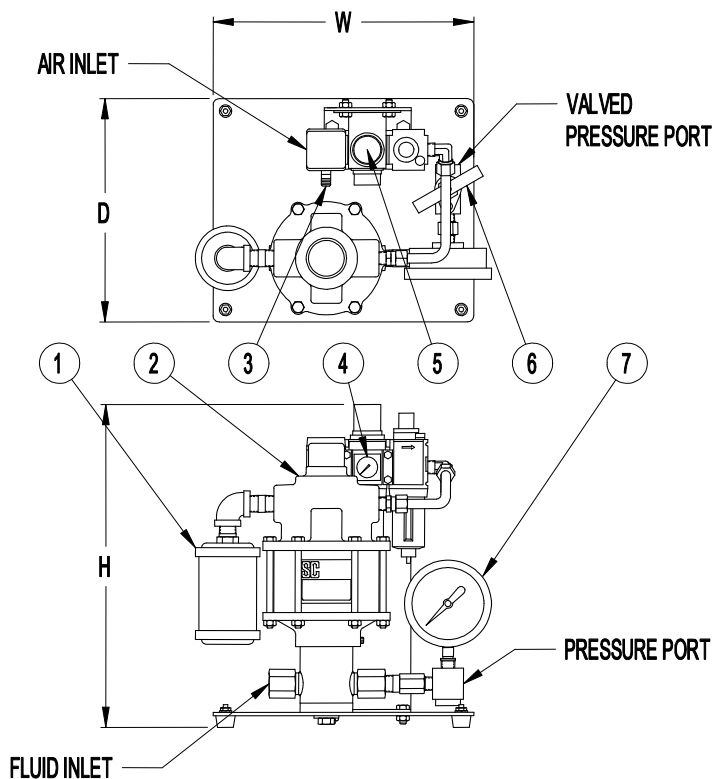
The most compact power unit available within the 10 Series pumps. SC Hydraulic engineers the 30 Series so as to minimize the space required by the unit. Light weight, easy to install.

Only three connections are required; air, fluid supply, and work port. The unit has two pressure ports, one equipped with a shut-off or bleed valve, which provides for ease of operation. An air exhaust muffler is included for quiet operation.

A stainless steel liquid filled gauge is included on units rated up to 30,000 psi and are optional for higher pressure systems.

UNIT CONSISTS OF

- (1) Air exhaust muffler
- (2) SC air operated pump
- (3) Air shut-off valve
- (4) Air pressure gauge
- (5) Filter-regulator (lubricator if required)
- (6) Fluid bleed valve
- (7) High pressure gauge (optional on models rated 30,000 psi and up)



30 SERIES POWER UNIT

30-4 Series 9 models – hydraulic pressure up to 22,000 psi

30-5 Series 15 models – hydraulic pressure up to 42,500 psi

30-6 Series 11 models – hydraulic pressure up to 65,000 psi

Model No. Standard	10 Series Hyd Section Code	Pump Ratio	Gauge Pressure	Overall Dimensions (in)			Ports NPT/High Pressure		
				W	D	H	Air Drive	Inlet	Outlet
30-4 Series	003	5:1	0-1,000	10.50	9.00	13.00	1/4"	1/2"	3/8"
	005	10:1	0-2,000						
	010	15:1	0-3,000						
	015, 020	30:1, 35:1	0-6,000					3/8"	1/4"
	030	55:1	0-10,000						
	050	100:1	0-15,000						
	080	140:1	0-20,000						
125	220:1	0-30,000							
30-5 Series	005, 007	10:1, 12:1	0-2,000	12.00	12.00	18.00	1/2"	1"	1/2"
	010	20:1	0-3,000						
	015	25:1	0-5,000						
	018, 020	30:1, 35:1	0-6,000					1/2"	3/8"
	030, 040	55:1, 70:1	0-10,000						
	045	85:1	0-15,000						
	060	105:1	0-15,000					3/8"	1/4"
	080	140:1	0-20,000						
	080-HF4	140:1	0-20,000						
	100	195:1	0-30,000						
	100-HF4	195:1	0-30,000						
	160	280:1	0-30,000						
	160-HF4	280:1	0-30,000						
	250	440:1	No Gauge **						
	250-HF4	440:1	No Gauge **						
350-HF4	555:1	No Gauge **							
30-6 Series	010	20:1	0-3000	12.00	12.00	21.00	1/2"	1"	1/2"
	015, 020	25:1, 35:1	0-6000						
	030	55:1	0-10,000					1/2"	3/8"
	050	95:1	0-15,000						
	080	145:1	0-20,000						
	100	180:1	0-30,000					3/8"	1/4"
	151	240:1	0-30,000						
	151-HF4	240:1	0-30,000						
	201	330:1	No Gauge **						
	201-HF4	330:1	No Gauge **						
	301-HF4	460:1	No Gauge **						
	402-HF4	740:1	No Gauge **						

See page 18 for "How to Order"

* Coned and threaded high-pressure connection for 1/4" O.D. tubing.

** Consult Factory if gauge is desired

40 SERIES POWER UNIT



The 40 Series incorporates a larger base plate than the 30 Series to accommodate an optional two or three gallon reservoir.

Light weight, easy to install. Only three connections are required; air, fluid supply, and work port.

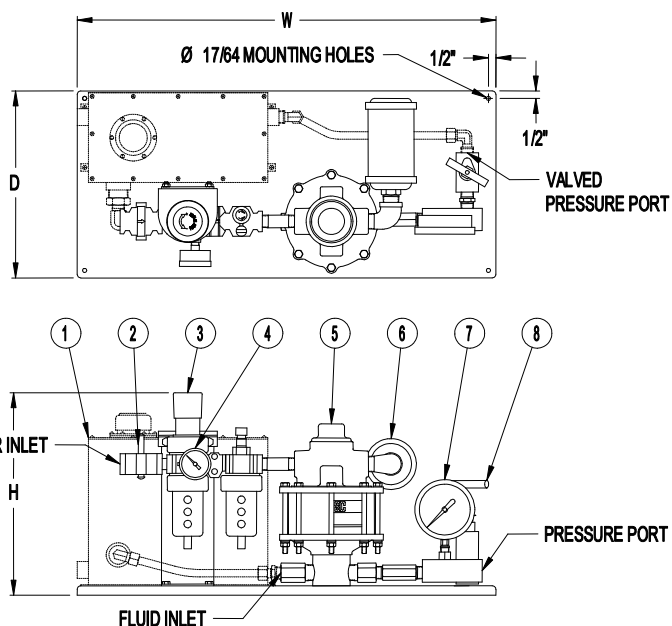
Two pressure ports, one equipped with shut-off or bleed valve, provide ease of control during operation. Valve connects to reservoir when so equipped.

Air exhaust muffler provides for quiet operation,

3 1/2" dial liquid filled gauge standard on units up to 30,000 psi.

UNIT CONSISTS OF

- (1) Optional reservoir 2 or 3 gallon
- (2) Air shut-off valve
- (3) Filter-regulator ((lubricator if required)
- (4) Air pressure gauge
- (5) SC Air Operated Pump
- (6) Air exhaust muffler
- (7) High pressure gauge (optional on models rated 30,000 psi and up)
- (8) Fluid bleed valve



40 SERIES POWER UNIT

40-4 Series 9 models – hydraulic pressure up to 22,500 psig
40-5 Series 16 models – hydraulic pressure up to 55,000 psig
40-6 Series 13 models – hydraulic pressure up to 65,000 psig

Model No. Standard	10 Series Hyd Section Code	Pump Ratio	Gauge Pressure	Overall Dimensions (in)			Ports NPT			
				W	D	H	Air Drive	Fluid Supply	Pressure	
40-4 Series	003	5:1	0-1,000	21.00	12.00	12.25	1/4"	1/2"	3/8"	
	005	10:1	0-2,000			9.25				
	010	15:1	0-3,000							
	015, 020	30:1, 35:1	0-6,000			8.75		3/8"	1/4"	
	030	55:1	0-10,000							
	050	100:1	0-15,000							
	080	140:1	0-20,000							
125	220:1	0-30,000								
40-5 Series	003	5:1	0-1,000	28.00	12.50	15.75	1/2"	1"	1/2"	
	005, 007	10:1, 12:1	0-2,000			13.50				
	010	20:1	0-3,000							
	015	25:1	0-5,000							
	018, 020	30:1, 35:1	0-6,000					1/2"	3/8"	
	030, 040	55:1, 70:1	0-10,000							
	045	85:1	0-15,000			14.00		3/8"	1/4"	
	060	105:1	0-15,000							
	080	140:1	0-20,000							
	080-HF4	140:1	0-20,000						9/16-18 *	
	100	195:1	0-30,000						1/4"	
	100-HF4	195:1	0-30,000						9/16-18 *	
	160	280:1	0-30,000						1/4"	
	160-HF4	280:1	0-30,000						9/16-18 *	
	250	440:1	No Gauge **						1/4"	
250-HF4	440:1	No Gauge **	9/16-18 *							
350-HF4	555:1	No Gauge **	9/16-18 *							
40-6 Series	003	5:1	0-1,000	28.00	12.50	20.25	1/2"	1 1/4"	1"	
	005	10:1	0-2,000			17.50		1"	1/2"	3/8"
	010	20:1	0-3,000							
	015, 020	25:1, 35:1	0-6,000							
	030	55:1	0-10,000			16.50		1/2"	1/4"	
	050	95:1	0-15,000							
	080	145:1	0-20,000			16.75		3/8"	9/16-18 *	
	100	180:1	0-30,000							
	151	240:1	0-30,000						1/4"	
	151-HF4	240:1	0-30,000							
	201	330:1	No Gauge **						9/16-18 *	
	201-HF4	330:1	No Gauge **						1/4"	
	301-HF4	460:1	No Gauge **						9/16-18 *	
	402-HF4	740:1	No Gauge **						9/16-18 *	

See page 18 for "How to Order"

* Coned and threaded high-pressure connection for 1/4" O.D. tubing.
 ** Consult Factory if gauge is desired

50 SERIES POWER UNIT



The 50 Series is a self-contained unit complete with a three gallon pressurized reservoir, hydraulic pressure unloading valve, air sequence valve and manual air control valve. It is designed for oil service only.

This unit provides high-speed low-pressure operation and low-speed high-pressure operation automatically.

Only two positions of the control valve are required for a complete cycle of operation. When the control valve is shifted (see circuit below), air pressure is applied to

the reservoir. This pressurization initiates free flow through the pump, thus providing the high-speed, low-pressure cycle.

Upon reaching a set hydraulic output pressure, the sequence valve automatically operates the pump, thus providing the low speed high-pressure cycle.

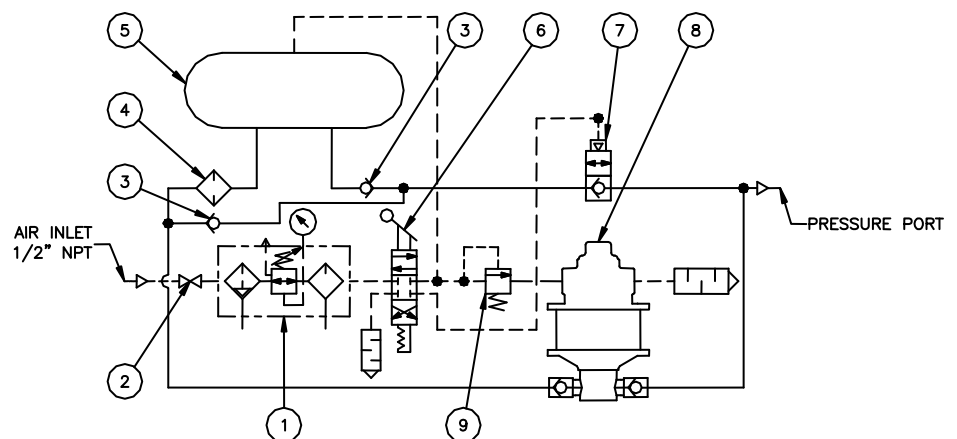
Operation of the pump only when increased pressure is required saves air, assures maximum pump life. And reduces operating and maintenance costs.

Opposite position of the control valve activates the pressure unloading valve and dumps system pressure back to the reservoir.

Design of the unit permits the use of the air supply for return cycle if needed. The unit is easily converted for semi or fully automatic operation.

LEGEND

- (1) Air controls
- (2) Air shut-off valve
- (3) Check valve
- (4) Fluid filter
- (5) Reservoir
- (6) Manual 4-way valve
- (7) Pressure unloading valve
- (8) SC pump
- (9) Air sequence valve

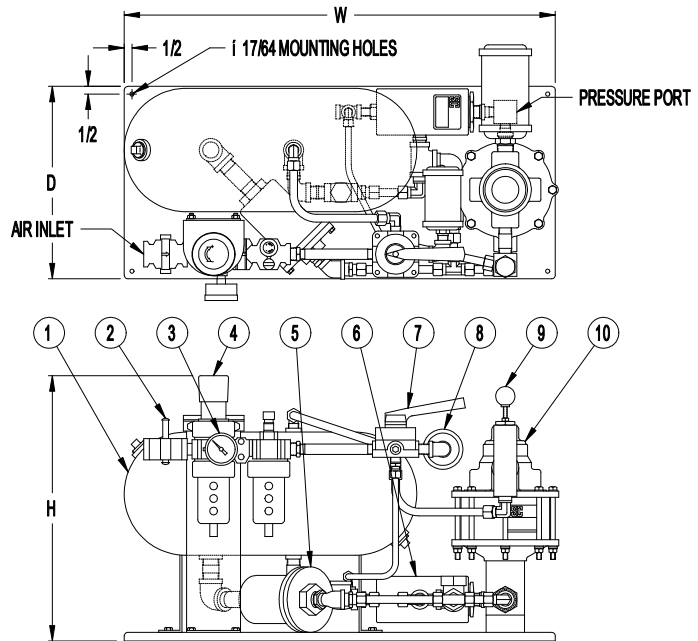


50 SERIES POWER UNIT

NOTE: For Oil Service Only

UNIT CONSISTS OF

- (1) Reservoir
- (2) Air shut-off valve
- (3) Air pressure gauge
- (4) Air controls
- (5) Fluid filter
- (6) Pressure release valve
- (7) Manual 4-way valve
- (8) Air exhaust muffler
- (9) Air sequence valve
- (10) SC air operated pump



Model No. Standard	10 Series Hyd Section Code	Pump Ratio	Overall Dimensions (in)			Ports NPT		N.C. Pressure Release Valve
			W	D	H	Air Drive	Pressure	
50-5 Series	005, 007	10:1, 12:1	25.00	12.50	16.50	1/2"	1/2"	PRC-100-N-050
	010	20:1					3/8"	
	015	25:1						
	018, 020	30:1, 35:1						
	030, 040	55:1, 70:1						
	045	85:1					1/4"	PRC-200-N-050
	060	105:1						
	080	140:1						
	080-HF4	140:1						
	100	195:1						
	100-HF4	195:1						
160	280:1	PRC-300-N-HF9						
160-HF4	280:1							
50-6 Series	010	20:1	28.00	12.5	19.44	1/2"	1/2"	PRC-100-N-050
	015, 020	25:1, 35:1					3/8"	
	030	55:1						
	050	95:1						
	080	145:1					1/4"	PRC-200-N-050
	100	180:1						
	151	240:1						
151-HF4	240:1							

See page 18 for "How to Order"

60 SERIES POWER UNIT



The 60 Series allows for the largest available reservoir capacity, yet provides a footprint (base dimensions) only slightly larger than the 30 Series.

The unit is available with either a 5 or 10 gallon stainless steel reservoir equipped with level gauge, breather/fill cap and bottom drain.

Only two connections are required; air and work port.

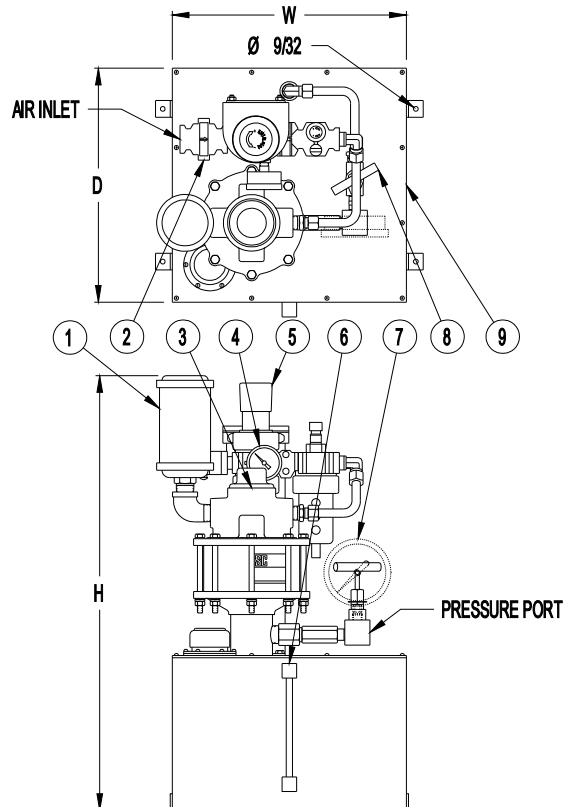
Two pressure ports, one equipped with a manual valve, provide ease of control during operation.

Air exhaust muffler provides for quiet operation.

3 1/2" dial liquid filled gauge is included on units up to 280:1 on 10-5 units and 240:1 on 10-6 units; optional on the higher pressure units.

UNIT CONSISTS OF

- (1) Air exhaust muffler
- (2) Air shut-off valve
- (3) SC air operated pump
- (4) Air pressure gauge
- (5) Filter-regulator (lubricator if required)
- (6) Liquid level sight gauge
- (7) High pressure gauge (optional on certain models)
- (8) Fluid bleed valve
- (9) Reservoir



60 SERIES POWER UNIT

60-5 Series 14 models – hydraulic pressure up to 42,500 psi
60-6 Series 10 models – hydraulic pressure up to 45,800 psi

Model No. Standard	10 Series Hyd Section Code	Pump Ratio	Gauge Pressure	Overall Dimensions (in)				Ports NPT/High Press.	
				W	D	H		Air Inlet	Pressure
						5 Gallon	10 Gallon		
60-5 Series	005, 007	10:1, 12:1	0-2,000	14.00	14.00	23.63	29.50	1/2"	1/2"
	010	20:1	0-3,000						3/8"
	015	25:1	0-5,000						1/4"
	018, 020	30:1, 35:1	0-6,000						9/16-18 *
	030, 040	55:1, 70:1	0-10,000						1/4"
	045	85:1	0-15,000						9/16-18 *
	060	105:1	0-15,000						1/4"
	080	140:1	0-20,000						9/16-18 *
	080-HF4	140:1	0-20,000						1/4"
	100	195:1	0-30,000						9/16-18 *
	100-HF4	195:1	0-30,000						1/4"
	160	280:1	0-30,000						9/16-18 *
	160-HF4	280:1	0-30,000						1/4"
	250	440:1	No Gauge **						9/16-18 *
250-HF4	440:1	No Gauge **	1/4"						
60-6 Series	010	20:1	0-3,000	14.00	14.00	26.88	32.75	1/2"	1/2"
	015, 020	25:1, 35:1	0-6,000						3/8"
	030	55:1	0-10,000						1/4"
	050	95:1	0-15,000						9/16-18 *
	080	145:1	0-20,000						1/4"
	100	180:1	0-30,000						9/16-18 *
	151	240:1	0-30,000						1/4"
	151-HF4	240:1	0-30,000						9/16-18 *
	201	330:1	No Gauge **						1/4"
	201-HF4	330:1	No Gauge **						9/16-18 *
	301-HF4	460:1	No Gauge **						

See page 18 for "How to Order"

* Coned and threaded high-pressure connection for 1/4" O.D. tubing.
 ** Consult Factory if gauge is desired

90 SERIES PORTABLE TEST CART



The 90-series portable test cart is designed to bring mobility to the field. It offers standard features found on our 60 series power units on a mobile, self contained unit.

Each unit is available with either a 5 or 10 gallon stainless steel reservoir and comes equipped with a level gauge, breather/fill cap and bottom drain. The control panel includes an air pressure regulator, air shut-off valve, air pressure gauge, fluid outlet pressure gauge and a return-to-reservoir valve.

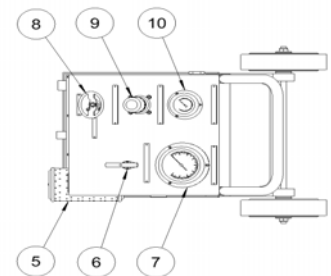
Its strong yet compact structure has two rubber wheels at its base making it easy to handle. All components are supported by a cold rolled steel frame. Each unit weighs approximately 130 pounds* while an included air exhaust muffler insures quiet operation.

This unit's simple design only requires two connections: one for the drive-air and one for the fluid outlet. The outlet pressure is adjusted by controlling the drive-air pressure with the built-in air pressure regulator.

The liquid filled pressure gauges indicate outlet pressures and are available up to 60,000 psi.

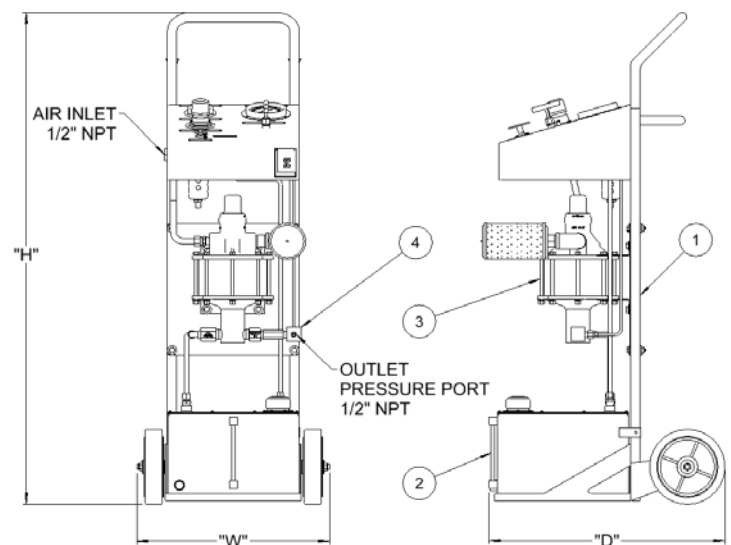
The included 10 series pump is capable of generating up to 65,000 psi making these test carts ideal for burst testing, water-jet blasting and hydrostatic testing of valves, accumulators, boilers, pipes, and hoses.

* Weight varies between pump models.



UNIT CONSISTS OF

- (1) Frame Assembly
- (2) Reservoir Assembly
- (3) Pump Assembly
- (4) Manifold
- (5) Air Exhaust Muffler
- (6) Return Valve
- (7) High Pressure Gauge
- (8) Air Supply Shut-Off Valve
- (9) Pressure Regulator, Air
- (10) Pressure Gauge, Air



90 SERIES PORTABLE TEST CART

90-4 Series 9 models – hydraulic pressure up to 22,500 psig
90-5 Series 16 models – hydraulic pressure up to 55,000 psig
90-6 Series 13 models – hydraulic pressure up to 65,000 psig

Model No. Standard	10 Series Hyd Section Code	Pump Ratio	Gauge Pressure	Overall Dimensions (in)			Ports NPT		
				W	D	H	Air Drive	Fluid Supply	Pressure
90-4 Series	003	5:1	0-1,000	20.5	25.12	52	1/4"	3/8"	1/4"
	005	10:1	0-2,000						
	010	15:1	0-3,000						
	015, 020	30:1, 35:1	0-6,000						
	030	55:1	0-10,000						
	050	100:1	0-15,000						
	080	140:1	0-20,000						
125	220:1	0-30,000							
90-5 Series	003	5:1	0-1,000						
	005, 007	10:1, 12:1	0-2,000						
	010	20:1	0-3,000						
	015	25:1	0-5,000						
	018, 020	30:1, 35:1	0-6,000						
	030, 040	55:1, 70:1	0-10,000						
	045	85:1	0-15,000						
	060	105:1	0-15,000						
	080	140:1	0-20,000						
	080-HF4	140:1	0-20,000						
	100	195:1	0-30,000						
	100-HF4	195:1	0-30,000						
	160	280:1	0-30,000						
	160-HF4	280:1	0-30,000						
	250	440:1	No Gauge **						
	250-HF4	440:1	No Gauge **						
350-HF4	555:1	No Gauge **							
90-6 Series	003	5:1	0-1,000						
	005	10:1	0-2,000						
	010	20:1	0-3,000						
	015, 020	25:1, 35:1	0-6,000						
	030	55:1	0-10,000						
	050	95:1	0-15,000						
	080	145:1	0-20,000						
	100	180:1	0-30,000						
	151	240:1	0-30,000						
	151-HF4	240:1	0-30,000						
	201	330:1	No Gauge **						
	201-HF4	330:1	No Gauge **						
	301-HF4	460:1	No Gauge **						
	402-HF4	740:1	No Gauge **						

See page 18 for "How to Order"

* Coned and threaded high-pressure connection for 1/4" O.D. tubing.
 ** Consult Factory if gauge is desired

TUBULAR POWER UNITS



These rugged power units are built to handle the toughest conditions.

The tubular frame is constructed with cold rolled, heavy wall steel and finished with a thick powder coated paint.

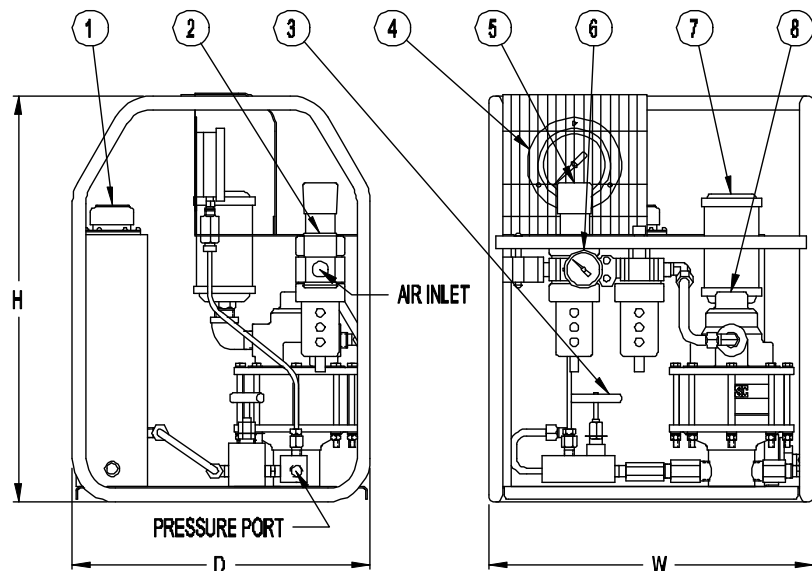
Each unit is equipped with a durable 2.2 gallon polyethylene reservoir, bleed valve, air controls, muffler, and protected high pressure gauge on most models.

The weight of a power unit is only 30 to 40 pounds depending on the pump model selected.

These portable power units are the perfect solution whenever high pressure is needed in the field and only a compressor is available. The only connections required are a 1/2" NPT port to the air drive and the pressure work port.

UNIT CONSISTS OF

- (1) Reservoir 2.2 gallon
- (2) Air shutoff valve
- (3) Fluid bleed valve
- (4) High pressure gauge (optional on models rated 30,000 psi and up)
- (5) Filter-regulator (lubricator if required)
- (6) Air gauge
- (7) Air exhaust muffler
- (8) SC Air Operated Pump



TUBULAR POWER UNITS

S10016 9 models – hydraulic pressure up to 22,500 psig
S10017 15 models – hydraulic pressure up to 55,000 psig
S10018 11 models – hydraulic pressure up to 65,000 psig

Model No. Standard	10 Series Hyd Section Code	D Series Hyd Section Code (Ratio)	Gauge Pressure	Overall Dimensions (in)			Ports NPT	
				W	D	H	Air Drive	Pressure
S10016 10-4 Pump	003	5:1	0-1,000	18.00	15.00	18.25	1/4"	3/8"
	005	10:1	0-2,000					1/4"
	010	15:1	0-3,000					1/4"
	015, 020	30:1, 35:1	0-6,000					1/4"
	030	55:1	0-10,000					1/4"
	050	100:1	0-15,000					1/4"
	080	140:1	0-20,000					1/4"
	125	220:1	0-30,000					1/4"
S10017 10-5 Pump	005, 007	10:1, 12:1	0-2,000	18.00	16.50	22.50	1/2"	1/2"
	010	20:1	0-3,000					3/8"
	015	25:1	0-5,000					3/8"
	018, 020	30:1, 35:1	0-6,000					3/8"
	030, 040	55:1, 70:1	0-10,000					3/8"
	045	85:1	0-15,000					3/8"
	060	105:1	0-15,000					1/4"
	080	140:1	0-20,000					1/4"
	080-HF4	140:1	0-20,000					9/16-18 *
	100	195:1	0-30,000					1/4"
	100-HF4	195:1	0-30,000					9/16-18 *
	160	280:1	0-30,000					1/4"
	160-HF4	280:1	0-30,000					9/16-18 *
	250	440:1	No Gauge **					1/4"
	250-HF4	440:1	No Gauge **					9/16-18 *
350-HF4	555:1	No Gauge **	9/16-18 *					
S10018 10-6 Pump	010	20:1	0-3000	18.00	16.50	22.50	1/2"	1/2"
	015, 020	25:1, 35:1	0-6000					3/8"
	030	55:1	0-10,000					3/8"
	050	95:1	0-15,000					3/8"
	080	145:1	0-20,000					3/8"
	100	180:1	0-30,000					1/4"
	151	240:1	0-30,000					1/4"
	151-HF4	240:1	0-30,000					9/16-18 *
	201	330:1	No Gauge **					1/4"
	201-HF4	330:1	No Gauge **					9/16-18 *
	301-HF4	460:1	No Gauge **					9/16-18 *
	402-HF4	740:1	No Gauge **					9/16-18 *

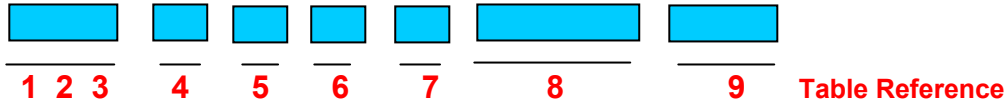
See page 19 for "How to Order"

* Coned and threaded high-pressure connection for 1/4" O.D. tubing.
** Consult Factory if gauge is desired

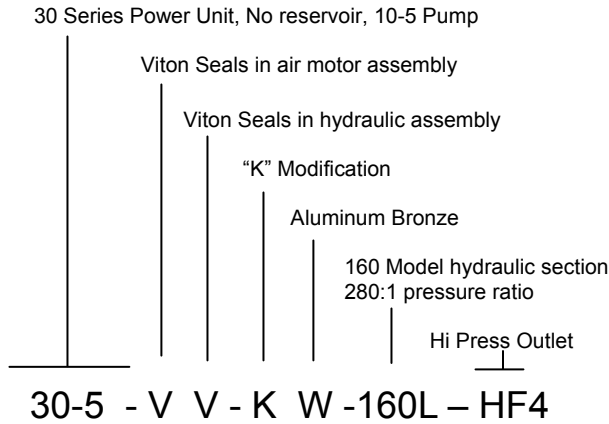
HOW TO ORDER TABLE

30, 40, 50, 60, 90 SERIES POWER UNITS

For pump selection see individual pump information



Example #1 Power Unit Selection



Example #2 Power Unit Selection

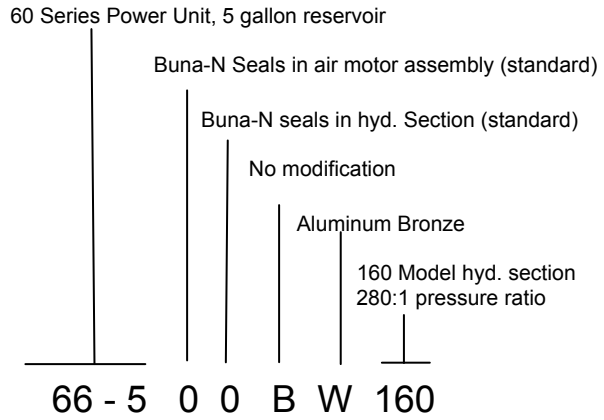


TABLE 1 ⁽⁴⁾ Power Unit Designation

3	30 Series
4	40 Series
5	50 Series
6	60 Series
9	90 Series

TABLE 2 Reservoir Option

0	No reservoir (30, 40, 90 only)
2	Two gallon (40 only)
3	Tree gallon (40 only)
6	Five gallon (60, 90 only)
7	Ten gallon (60, 90 only)

TABLE 3 Pump Series Designation

4	10-4 Series
5	10-5 Series
6	10-6 Series

TABLE 4 Seal Compound – Air Motor

0	Buna-N Nitrile (standard)
V	Viton

TABLE 5 Seal Compound – Hyd. Section

0	Buna-N nitrile (standard)
E	EPR - ethylene propylene
V	Fluorocarbon
*	Consult factory for special compounds

TABLE 6 Modifications

0	Standard pump
A	"A" modification
B	Bottom inlet ⁽¹⁾

TABLE 6 ⁽⁵⁾ Modifications (continued)

D	Bottom inlet – heavy duty
E	Bottom inlet – "A" modification ⁽¹⁾
G	Isolator – heavy duty ^(1,3)
H	Heavy duty ⁽¹⁾
J	Bottom inlet – "K" modification ⁽¹⁾
K	"K" modification ⁽¹⁾
M	Bottom inlet – "A" and "K" modification ⁽¹⁾
N	Isolator – "A" modification ⁽¹⁾
P	Isolator – "K" modification ⁽¹⁾
Q	Isolator – "A" and "K" modification ⁽¹⁾
R	Isolator ⁽¹⁾
S	Heavy duty – "K" modification ^(1,3)
U	Heavy duty – bottom inlet – "K" mod. ^(1,3)
V	Heavy duty – isolator – "K" modification ^(1,3)

TABLE 7 Material of Construction – Hyd. Section

W	Aluminum bronze & stainless steel
S	All stainless steel
C	Cad plate carbon steel, stainless steel ⁽²⁾

TABLE 8 Pressure Ratio Model Designation

Refer to pressure ratio charts for proper selection
Use suffix "L" if lube style pump is included, leave blank for non-lube "Dry Seal" type

TABLE 9 Port Option

Blank	Standard
SAE	Straight thread as indicated on chart

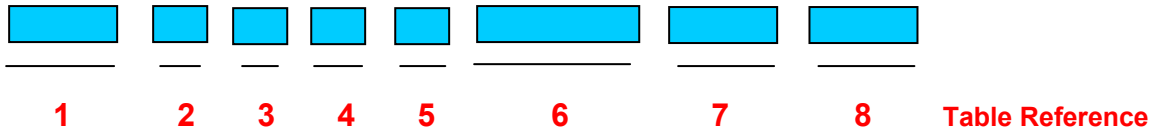
Notes:

- (1) Not available for 10-4 Series
- (2) 25 piece minimum order
- (3) "A" modification included with all "H" modifications.
- (4) Do not fill gap on a two digit description. Refer to Example #2
- (5) If digit from Table 1 is "6" this letter must be "B", "D", "E", "J", "M", or "U",

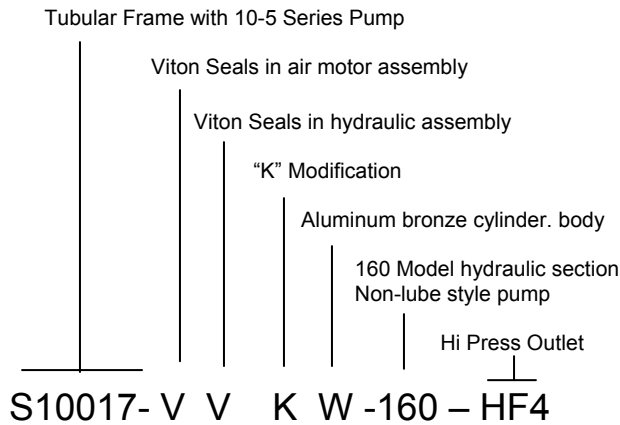
HOW TO ORDER TABLE

10 SERIES TUBULAR FRAME POWER UNITS

For pump selection see 10 Series Catalog



Example #1 Power Unit Selection



Example #2 Power Unit Selection

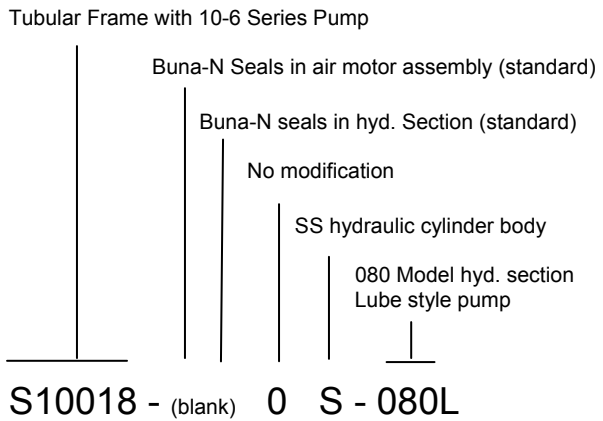


TABLE 1 Power Unit Designation

S10016	10-4 Series Pump
S10017	10-5 Series Pump
S10027	D5 Series Pump (old designation)
S10018	10-6 Series Pump
S10026	D6 Series Pump (old designation)

TABLE 2 Seal Compound – Air Motor ⁽³⁾

Blank	Buna-N Nitrile (standard)
V	Viton

TABLE 3 Seal Compound – Hyd. Section ⁽³⁾

Blank	Buna-N Nitrile (standard)
E	EPR - ethylene propylene
V	Fluorocarbon
*	Consult factory for special compounds

TABLE 4 Modifications

0	Standard pump
A	"A" modification
G	Isolator – heavy duty ^(1,2)
H	Heavy duty ⁽¹⁾
K	"K" modification ⁽¹⁾

TABLE 4 (continued)

N	Isolator – "A" modification ⁽¹⁾
P	Isolator – "K" modification ⁽¹⁾
Q	Isolator – "A" and "K" modification ⁽¹⁾
R	Isolator ⁽¹⁾
S	Heavy duty – "K" modification ^(1,2)
V	Heavy duty – isolator – "K" modification ^(1,2)

TABLE 5 Material of Construction – Hyd. Section

W	Aluminum bronze & stainless steel (10-4, 10-5, 10-6 Series) standard
B	Aluminum bronze & stainless steel (D5, D6 Series — old designation)
S	All stainless steel

TABLE 6 Model Designation – Pressure Ratio

Refer to pressure ratio charts for proper selection

TABLE 7 Port option

Blank	Standard
SAE	Straight thread as indicated on chart
HF4	9/16-18 x 1/4" OD tube 60K psi

TABLE 8 Special Modification – Model Designation

Blank	None
M-	xxx (modification number)

Notes:

- (1) Not available for 10-4 Series
- (2) "A" modification included with all "H" modifications.
- (3) Do not fill gap on a two digit description. Refer to Example #2

LIMITED WARRANTY

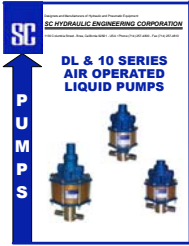
SC manufactured products are warranted free of original defects in material and workmanship for a period of one year from date of purchase to first user. This warranty does not include packing, seals or failures caused by lack of proper maintenance, incompatible fluids, foreign materials in the air media, in the fluid media or application of pressures beyond catalog ratings. Products believed to be originally defective may be returned, freight prepaid, for repair and/or replacement to the distributor, authorized service representative or to the factory. If upon inspection by the factory or authorized service representative and the problem is found to be originally defective material or workmanship, repair or replacement will be made at no charge for labor and materials, F.O.B. the point of repair or replacement. Permission to return under warranty should be requested prior to shipment. A Return Material Authorization Number (RMA), the original purchase date, purchase order number, serial number, model number, reason for return or other pertinent data to establish warranty claim must be included in the documentation to expedite the return or replacement to the owner.

If the unit has been disassembled, misused, or altered without prior **written** authorization, warranty is void. If it has been improperly reassembled or substitute parts have been used in place of factory manufactured parts, warranty is void.

Any modification to any SC product which you have made or may make in the future will void warranty. SC disclaims any and all liability obligation, or responsibility for the modified product, and for any claims, demands or causes of action for damage or for personal injuries resulting from the modification and/or use of such a modified SC product.

SC's obligation with respect to its products shall be limited to replacement, and in no event shall SC be liable for any loss or damage, consequential or special, of whatever kind or nature, or any other expense which may arise in connection with or as a result of such products or the use or incorporation thereof in a job. This warranty is expressly made in lieu of all other warranties of merchantability and fitness for a particular purpose. No express warranty and no implied warranties whether of merchantability or fitness for a particular purpose or otherwise, other than those expressly set forth above, shall apply to SC products.

Other catalogs available from SC Hydraulic Engineering. Contact your local distributor or us direct and request the ones(s) you need by name or number. Catalogs are also available online at www.schydraulic.com.



Catalog # D15000

10 Series Air Operated Liquid Pumps

Three models for pressures up to 65,000 psi and many featured options

Catalog # D15001

L3 Series Air Operated Liquid Pumps

Compact sized pumps for pressures up to 15,600 psi plus three styles of power units.



Catalog # D15004

AIR BOOSTERS & SYSTEMS

Compact and double-acting up to 5:1 ratio plus booster systems with reservoirs and air controls.

Catalog # D15005

AIR OPERATED GAS BOOSTERS

Single and double-acting and two stage boosters up to 25,000 psi plus complete gas booster systems.



Catalog # D15007

D/10 SERIES POWER UNITS

Six different types with and without reservoirs and pressures up to 65,000 psi. All non-electric.

Catalog # D15006

FLOW CONTROL & AIR PILOT SWITCH VALVES

High pressure check, sequence, release, relief, and air pilot switch valves for liquid and gas applications.



Distributed by: